

SR Smith®

LIFEGUARD CHAIRS



Pool **Better™**

Lifeguard Chairs

CONTENTS

Overview 2
Chairs 3

DESIGNED FOR SAFETY

S.R.Smith offers a wide range of lifeguard stands, from traditional models to the Sentry™ series, which features a stylish, outdoor furniture look. Portable and fixed models are available in a variety of heights and rotation ability. Each S.R.Smith lifeguard stand is designed to meet the logistical and safety needs of facilities from small hotel pools to large aquatic facilities.

COMPLIANCE MATTERS

The Occupational Health and Safety Administration (OSHA) has outlined minimum requirements for lifeguard chairs in public pools. To comply with OSHA, a lifeguard stand must have rails to protect against falls and sufficient room to ascend and descend from the chair.

SPECIFYING MADE EASY

S.R.Smith lifeguard chairs are easy to add to proposals, with downloadable specifications and CAD available on our website.

Sentry® Lifeguard Chairs



Sentry® 30", 42", and 66" seat height lifeguard chairs

Designed to complement any aquatic environment, Sentry® Lifeguard Chairs provide an elegant look that will stand the test of time.

- Outdoor furniture style and appeal
- Constructed from HDPE for strength and low maintenance
- Marine grade, 316 stainless steel hardware
- Textured treads for slip resistant surface
- Wheel kits available to facilitate transport
- 30" chair comes with brackets for anchoring to pool deck
- 42" & 66" chairs are pre-drilled for concrete anchors*
- 66" chair available with additional center support for high wind environments
- Cup & umbrella holders on all chairs
- UPS shippable
- Made in USA

*Anchors only included with SLGC-66



30" Chair Wheel Kit



42" & 66" Chair Wheel Kit

Model No.	Description	Shipping — Class 70			
		Weight	Length	Width	Height
SLGC-30	30" Sentry Lifeguard Chair	67 lbs	45"	19"	3"
SLGC-42	42" Sentry Lifeguard Chair	95 lbs	54"	19"	4"
SLGC-66	66" Sentry Lifeguard Chair	95 lbs	54"	19"	4"
		70 lbs	78"	14"	3"
SLGC-66-S	66" Sentry Lifeguard Chair with center supports	110 lbs	54"	19"	4"
		70 lbs	78"	14"	3"

S.R.SMITH LIFEGUARD CHAIRS AT A GLANCE

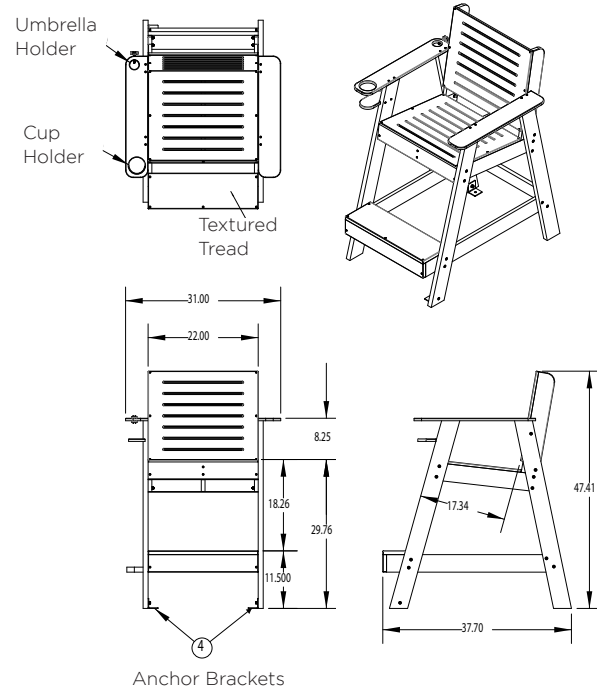
PRODUCT	STYLE	FRAME MATERIAL	ROTATION	SEAT HEIGHT	UMBRELLA HOLDER	PLATFORM DIMENSIONS
SENTRY	PORTABLE	HDPE*	Fixed	30", 42" & 66"	Yes	N/A
VISTA	PORTABLE	304 SS	360°	6' & 8'	Yes	30" X 42"
STANDARD	PORTABLE	304 SS	45°	6'	Yes	18" X 42"
LOW PROFILE	PORTABLE	304 SS	360°	30", 42" & 54"	Yes	38" X 42"
O-SERIES	PORTABLE	304 SS	360°	30" & 42"	Yes	30" UPPER; 42" LOWER
OUTLOOK I & II	ANCHORED	304 SS	360°	5' & 6'	Yes	30" X 42"
INSTITUTIONAL	ANCHORED	304 SS	360°	6'	Yes	18" X 42"
CANTILEVER	ANCHORED	304 SS	360°	6'	Yes	30" X 42"
GUARDIAN	ANCHORED	304 SS	360°	6'	Yes	30" X 42"

*High-Density Polyethylene

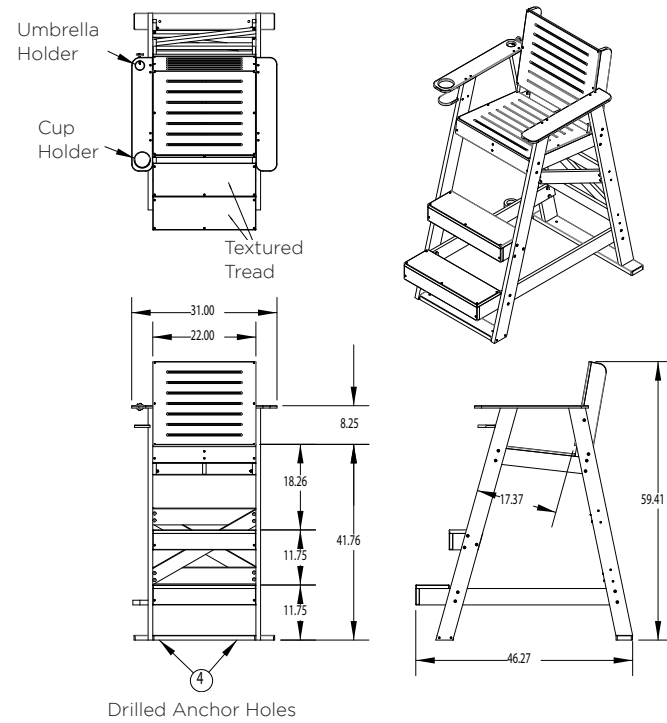
ACCESSORIES & REPLACEMENT PARTS

- 13-501 30" chair anchor brackets (included)
- 13-502 30" wheel kit
- 13-503 42" & 66" wheel kit
- 13-504 Life Ring Hook
- 13-505 Concrete anchors for 42" & 66" chairs
- 13-530 Hardware replacement kit for 30" chair
- 13-542 Hardware replacement kit for 42" chair
- 13-566 Hardware replacement kit for 66" chair

30" SENTRY LIFEGUARD CHAIR



42" SENTRY LIFEGUARD CHAIR



Low Profile Lifeguard Chair



- Available in 30", 42", or 54" seat heights
- Portable unit features two wheels for the flexibility to move your lifeguard stations as needed
- Seat swivels 360° for a full view of the facility
- Footboard features a non-slip, white, sanded tread
- Handrails and seat post are 304 stainless steel
- Stainless steel for added corrosion resistance

TREAD COLOR



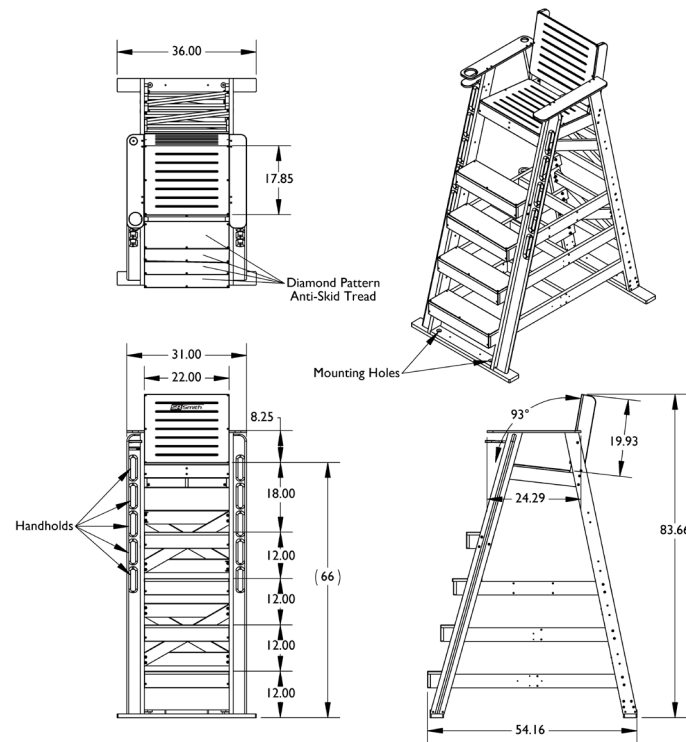
WHITE

Custom colors available

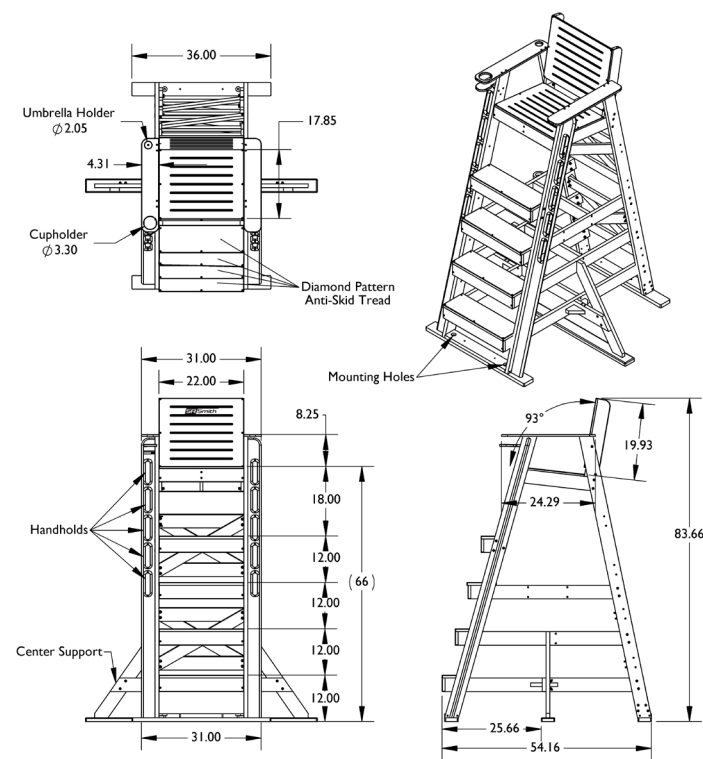
Model No.	Description	Shipping (3 boxes) — Class 125			
		Weight	Length	Width	Height
LPLS-330	30" Low Profile	150 lbs	26"/66cm	20"/51cm	11"/28cm
		68kg	25"/64cm	20"/51cm	9"/23cm
			60"/152cm	79"/201cm	8"/20cm
LPSL-342	42" Low Profile	155 lbs	26"/66cm	20"/51cm	11"/28cm
		70kg	25"/64cm	20"/51cm	9"/23cm
			60"/152cm	79"/201cm	8"/20cm
LPLS-354	54" Low Profile	160 lbs	26"/66cm	20"/51cm	11"/28cm
		72kg	25"/64cm	20"/51cm	9"/23cm
			60"/152cm	79"/201cm	8"/20cm

Rescue tube not included.

66" SENTRY LIFEGUARD CHAIR

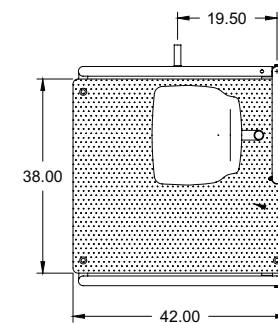


66" SENTRY LIFEGUARD CHAIR W/ CENTER SUPPORTS

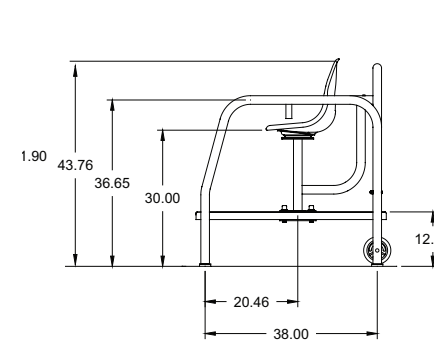


ALL MEASUREMENTS SHOWN IN INCHES

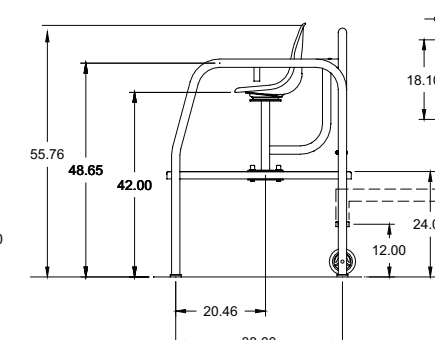
TOP VIEW, ALL MODELS



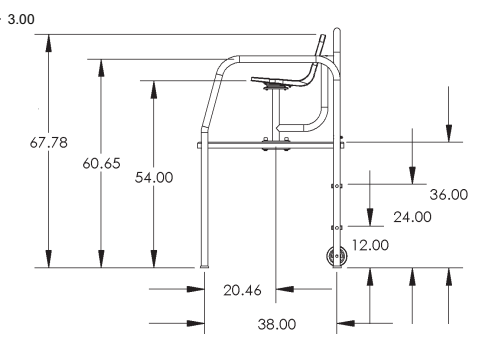
30" LOW PROFILE



42" LOW PROFILE



54" LOW PROFILE



REPLACEMENT PARTS

- 8-710 Footboard (38" x 42")
- 13-109 Seat Post + Umbrella Holder
- 13-111 Seat + Swivel
- 8-609 Seat Only
- A40703-0 Swivel Only
- LTDF-103 Ladder Tread
- 8-862 Wheel
- 13-139 Hardware Pack (For 30" Chair)
- 13-140 Hardware Pack (For 42" Chair)
- 13-145 Hardware Pack (For 54" Chair)

Standard Lifeguard Chair



- 6' tall at the seat
- Portable unit features two wheels for the flexibility to move your lifeguard stations as needed
- Seat swivels 45°
- Observation platform features a non-slip, white, sanded tread
- Handrails and seat post are 304 stainless steel
- Stainless steel for added corrosion resistance

Model No.	Description	Shipping (3 boxes) — Class 125			
		Weight	Length	Width	Height
PLS-204	Standard Portable	157 lbs	80"/203cm	62.5"/160cm	7"/18cm
		71kg	26"/66cm	20"/51cm	11"/28cm
			25"/64cm	20"/51cm	9"/23cm

316L polished stainless steel is available.

TREAD COLOR



Custom colors available

REPLACEMENT PARTS

- 8-705 Footboard (18" x 42")
- 13-109 Seat Post + Umbrella Holder
- 13-111 Seat + Swivel
- 8-609 Seat Only
- A40703-0 Swivel Only
- LTDF-105 Ladder Tread
- FC-100A White Stabilizer Leg Cover
- 8-862 Wheel
- 13-130 Hardware Pack
- X-104 Plastic End Caps
- 20-107L Left Wheel Bracket
- 20-107R Right Wheel Bracket
- 8-104 Plastic Rail End Plug

Vista Lifeguard Chair



- Available in 6' or 8' seat heights
- Portable unit features two wheels for the flexibility to move your lifeguard stations as needed
- Seat swivels 360° for a full view of your facility
- Observation platform features a non-slip, white, sanded tread
- Handrails and seat post are 304 stainless steel
- Stainless steel for added corrosion resistance

Model No.	Description	Shipping — Class 250			
		Weight	Length	Width	Height
US48500	6' Vista	206 lbs/93kg	90"/229cm	83"/211cm	16"/41cm
US48550	8' Vista	250 lbs/113kg	116"/295cm	83"/211cm	16"/41cm

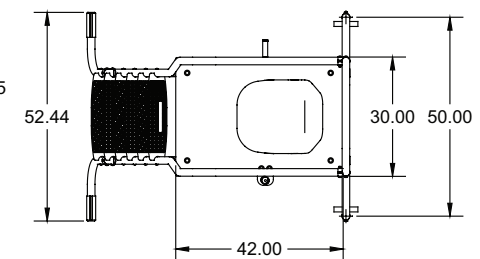
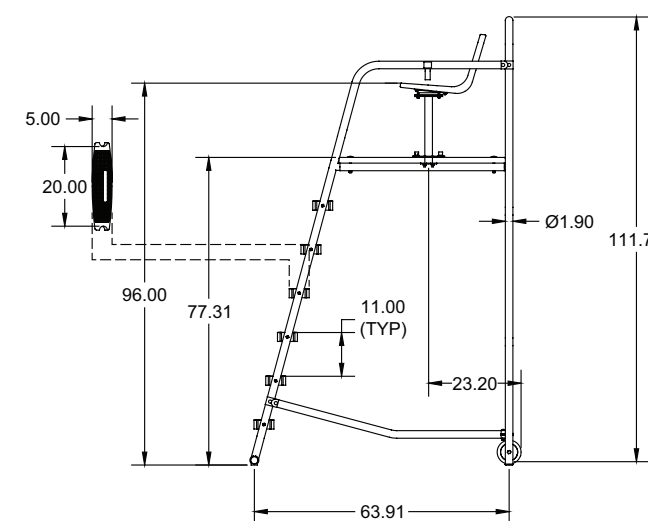
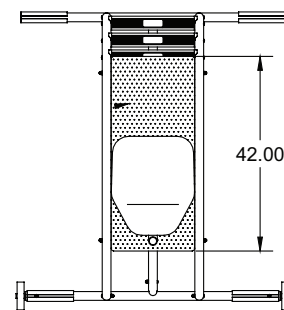
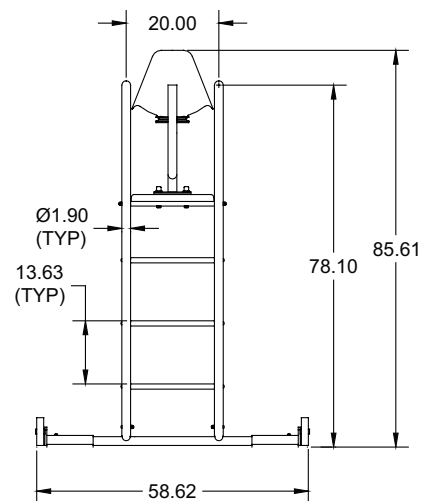
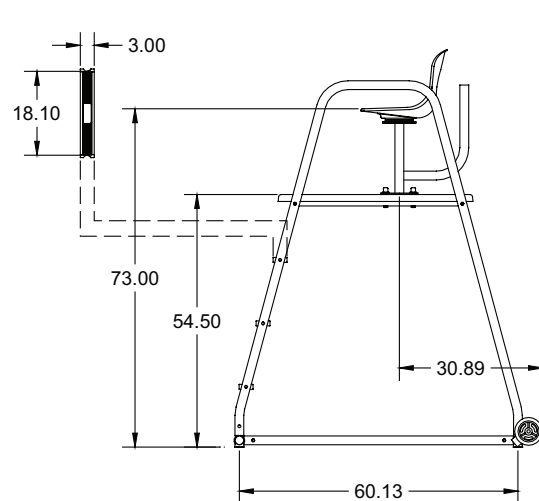
TREAD COLOR



Custom colors available

REPLACEMENT PARTS

- 8-612 Footboard (30" x 42")
- 13-117 Seat Post
- 13-111 Seat + Swivel
- 8-609 Seat Only
- A40703-0 Swivel Only
- S2470-102 Ladder Tread + Hardware
- FC-100 White Stabilizer Leg Cover
- 8-862 Wheel
- 69-209-106 Hardware Pack (6' Vista)
- 69-209-109 Hardware Pack (8' Vista)



Cantilever Lifeguard Chair



- 6' tall at the seat
- Permanent unit features a slim design that requires minimal deck space
- Seat swivels 360° for a full view of facility
- Extended observation platform features a non-slip, white, sanded tread
- Handrails and seat post are 304 stainless steel
- The support column is primed and ready for a high quality paint topcoat*

* We recommend a high-quality acrylic urethane enamel for a durable finish

Model No.	Description	Shipping (3 boxes) — Class 125			
		Weight	Length	Width	Height
PLS-204	Standard Portable	315 lbs	65"/165cm	21"/53cm	25.5"/65cm
		143kg	25"/64cm	20"/51cm	10"/25cm
			24"/61cm	22"/56cm	21"/53cm

TREAD COLOR

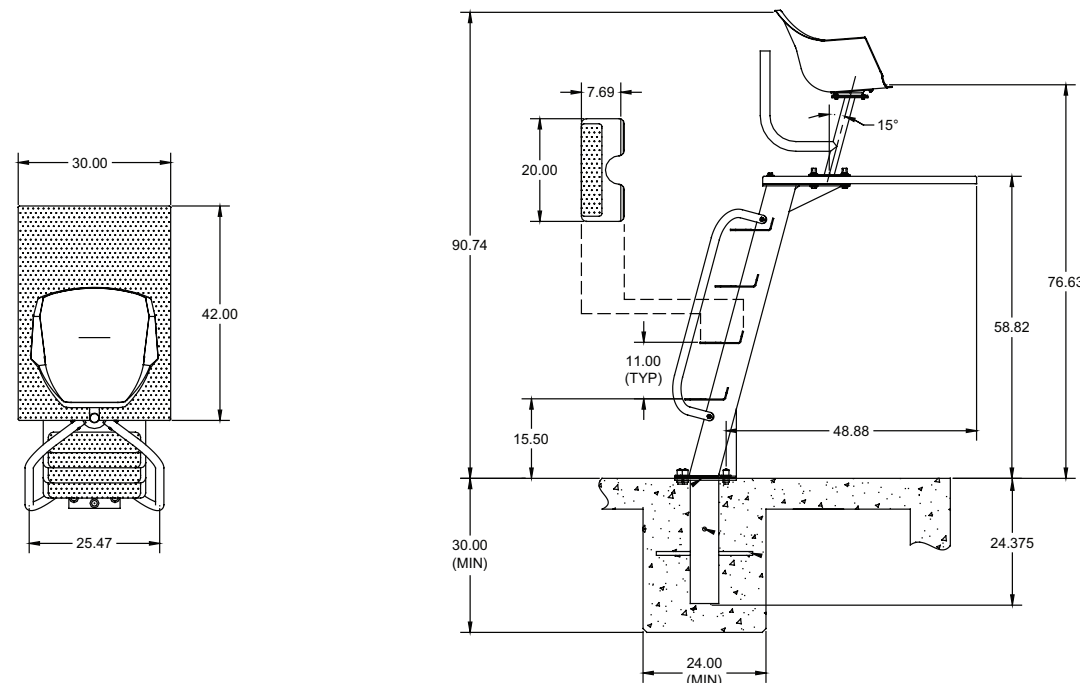


WHITE

Custom colors available

REPLACEMENT PARTS

- 13-101 Support Column
- 8-602 Footboard (30" x 42")
- 13-124 Seat Post + Umbrella Holder
- 13-119 Seat, includes Mounting Plate + Swivel, includes Hardware
- 6-621 Step Adhesive
- 8-610 Seat Only
- A40703-0 Swivel Only
- 13-104 Handrail + Hardware
- 13-103 Anchor + Mounting Hardware



Guardian Lifeguard Chair



- 6' tall at the seat
- Permanent unit features a slim design that requires minimal deck space
- Seat swivels 360° for a full view of your facility
- Extended observation platform features a non-slip, white, sanded tread
- Handrails and seat post are 304 stainless steel
- Stainless steel for added corrosion resistance

Model No.	Description	Shipping — Class 250			
		Weight	Length	Width	Height
UMLS-101	6' Guardian	135 lbs/61kg	100"/254cm	39"/99cm	28"/71cm

TREAD COLOR

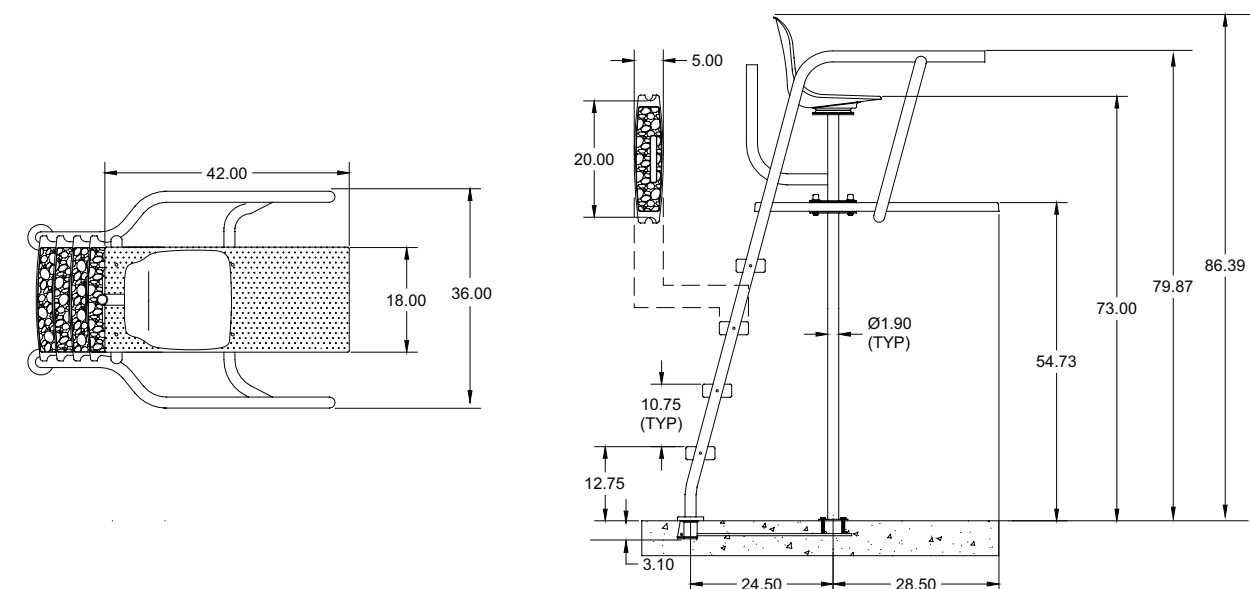


WHITE

Custom colors available

REPLACEMENT PARTS

- 13-116 Support Column
- 8-706 Footboard (18" x 42")
- 13-109 Seat Post + Umbrella Holder
- 13-111 Seat + Swivel
- 8-609 Seat Only
- A40703-0 Swivel Only
- S2470-102 Ladder Tread + Hardware
- S2823-17 Anchor Jig Assembly



Institutional Lifeguard Chair



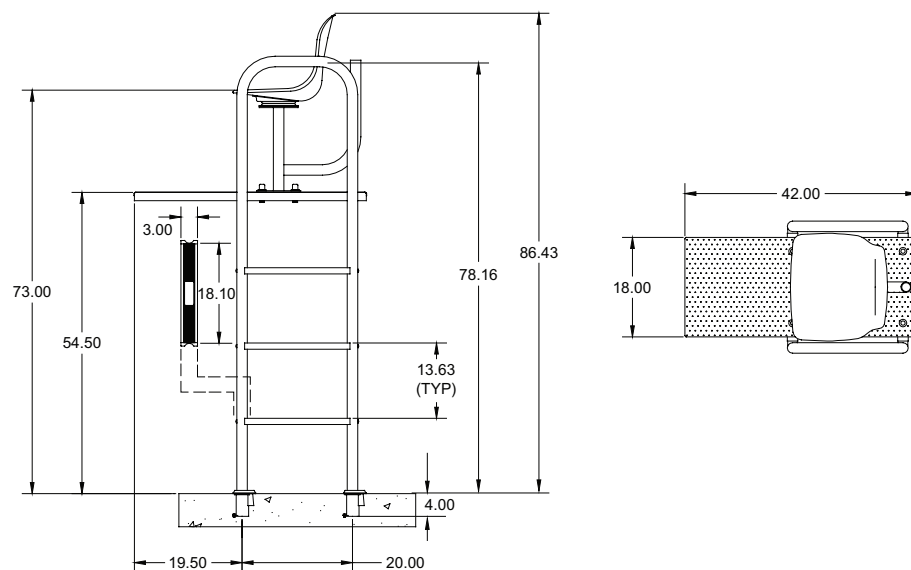
- 6' tall at the seat
- Permanent unit also makes an ideal coaching or judging stand
- Seat swivels 360° so you can quickly scan entire pool and deck
- Extended observation platform features a non-slip sanded tread
- Handrails and seat post are 304 stainless steel
- Stainless steel for added durability and corrosion resistance

Model No.	Description	Shipping (3 boxes) — Class 70			
		Weight	Length	Width	Height
ILGS-205	6' Institutional	150 lbs	84"/213cm	25"/64cm	8"/20cm
		68kg	25"/64cm	20"/51cm	11"/28cm
			24"/61cm	20"/51cm	11"/28cm

Anchor sockets and escutcheons are ordered separately.

REPLACEMENT PARTS

- 8-720 Footboard (18" x 42")
- 13-109 Seat Post + Umbrella Holder
- 13-111 Seat + Swivel
- 8-609 Seat Only
- A40703-0 Swivel only
- LTDF-103 Ladder Tread
- 13-120 Hardware Pack
- AS-100B Anchor Assembly



Outlook I & II Lifeguard Chairs



Outlook I Lifeguard Chair

Outlook II Lifeguard Chair

- Outlook I is 6' tall at the seat, Outlook II is 5' tall at the seat
- Permanent units feature a slim design that require minimal deck space
- Seats swivel 360° for full view of entire pool and deck
- Extended observation platforms feature a non-slip, white, sanded tread
- Handrails and seat post are 304 stainless steel
- Stainless steel bases are powder-coated in silver gray for corrosion resistance

Model No.	Description	Shipping (2 boxes) — Class 125			
		Weight	Length	Width	Height
US48500	6' Outlook I	171 lbs	91"/231cm	35"/89cm	11.5"/29cm
		78kg	10"/25cm	10"/25cm	8"/20cm
US48550	5' Outlook II	156 lbs	91"/231cm	35"/89cm	11.5"/29cm
		71kg	10"/25cm	10"/25cm	8"/20cm

FRAME COLOR



SILVER GRAY

TREAD COLOR



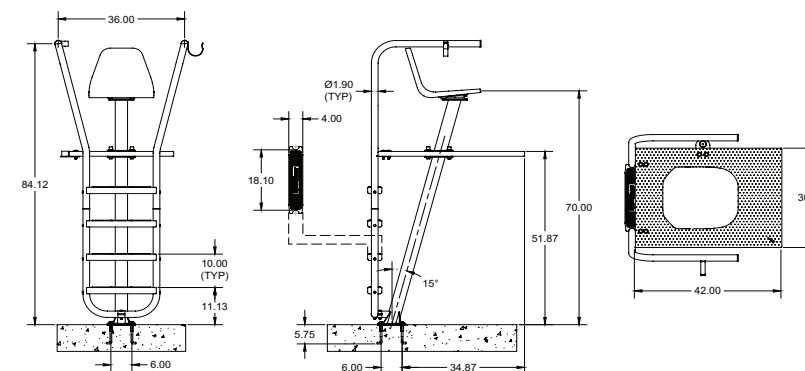
WHITE

Custom colors available

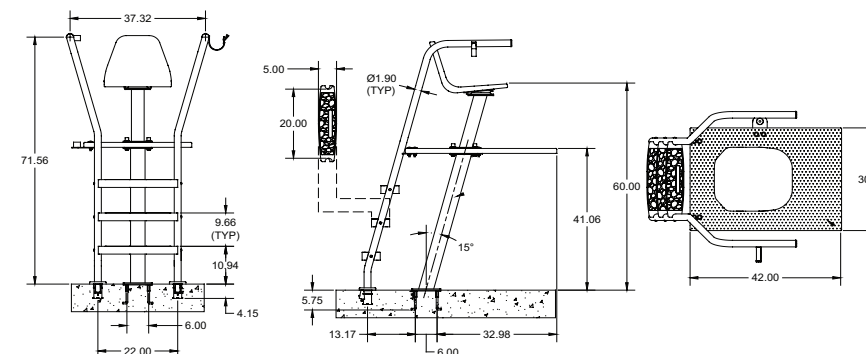
REPLACEMENT PARTS

- 13-122-SG Support Column (Outlook I)
- 13-121-SG Support Column (Outlook II)
- 8-613 Footboard (30" x 42" Outlook I)
- 8-614 Footboard (30" x 42" Outlook II)
- 13-118-SG Seat Post
- 13-111 Seat + Swivel
- 8-609 Seat Only
- 20-116 Umbrella Holder
- A40703-0 Swivel Only
- LTDF-106 Ladder Tread (Outlook I)
- S2470-102 Ladder Tread + Hardware (Outlook II)
- 27-102 Anchor Assembly (Outlook I)
- 27-103 Anchor Assembly (Outlook II)
- 69-209-107 Hardware Pack (Outlook I)
- 69-209-108 Hardware Pack (Outlook II)
- 8-104 Plastic Rail End Cap
- 74-185-186NH 22"x22" Platform (no holes)

OUTLOOK I LIFEGUARD CHAIR



OUTLOOK II LIFEGUARD CHAIR





Pool Better™



A Fluidra Brand | srsmith.com | 800.824.4387

No part of this may be copied or reproduced without the expressed written consent of SR Smith, LLC

©Copyright 2022 SR Smith, LLC. All rights reserved. | M-E-BRO-175 5M 0822