

SR Smith®

IN-POOL FURNITURE

Pool **Better**



IN-POOL FURNITURE

CONTENTS

- Overview 3
- Tables + Seating..... 4
- Destination Series Lounger..... 6
- Destination Series
Rocking Lounge Chair 8
- R-Series Lounger..... 10
- R-Series Deep Water Lounger 12
- R-Series Rocking Lounge Chair ... 14
- R-Series Sun Shelf Tables 16

BRING YOUR VACATION HOME

Inspired by the world’s most luxurious resorts, S.R.Smith’s line of professional grade in-pool furniture sets a new standard for style and elegance. The Destination and R-Series products feature table and seating options designed to create spaces for conversation and relaxation.

MINIMUM WEIGHT - MAXIMUM STRENGTH

Resin Transfer Molding (RTM) is an advanced manufacturing process that is used in a diverse range of applications from aerospace to automotive products. The RTM process creates a composite material that has a high strength to weight ratio—although lightweight, it is exceptionally strong and durable. RTM products offer a truly unique look that is salt pool friendly and UV resistant to protect colors from fading.



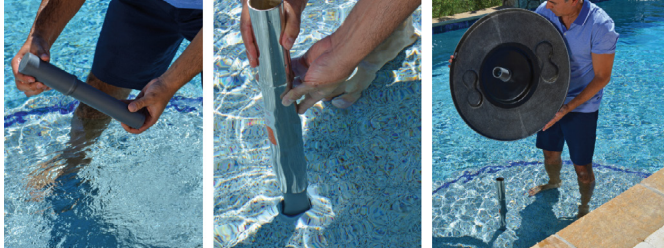
SALT POOL FRIENDLY

We know pool builders and consumers alike enjoy the benefits of salt chlorinator systems—that’s why we’ve designed a line of products that perform well in salt pool environments. Our Salt Pool Friendly icon is your visual assurance that the most durable and salt friendly materials have been used in manufacturing.



ADAPTER KITS

Sun shelf tables install into most 1.5-inch umbrella anchors in three easy steps with the Adapter Kit from S.R.Smith. Adapter Kits have been verified for use with most popular 6-inch umbrella anchor manufacturers including Aqua Star®, Waterway™ and CMP®. Compatibility with other brands is not guaranteed.





DESTINATION SERIES TABLES + SEATING

Make the most of a sun shelf with tables and seating that allows you to cool off without splashing around. Bring your book, your favorite beverage and a snack to spend hours relaxing in your personal destination space.



NEW CONSTRUCTION

Build in resort features that are flexible, durable and elegant with Destination Series tables and seating.

FEATURES:

- Tables & seats designed for 6-inch anchors
- Pole height can be customized in the field (suggest using a hacksaw with a new blade)
- Easy to insert and remove without tools
- Salt pool friendly



RETROFIT TABLE KITS

Upgrade an ordinary sun shelf to an extraordinary conversation space or relaxation station with Retrofit Sun Shelf Table Kits.

Kits include everything you need to upgrade your shade with an easy-to-install adapter that enables you to retrofit your existing umbrella sleeve with professional-grade in-pool furniture.

FEATURES:

- Tables with or without cupholders
- Available in assorted colors and visual textures
- Easy to insert and remove without tools
- Salt pool friendly



COLOR OPTIONS



REPLACE THE XX IN THE PART NUMBERS TO INDICATE COLOR CODE WHEN ORDERING.

GUNITE NEW CONSTRUCTION	
PART #	DESCRIPTION
POOL TABLES REPLACE THE XX IN THE PART NUMBERS TO INDICATE COLOR CODE WHEN ORDERING.	
WS-POOLTABLE-XX-C	In-Pool/Spa 30" Table, 54" tall 1.90 x .065 Support Pole and 6" Bronze Pool Anchor with cap
WS-PT NO ANC-XX-C	In-Pool/Spa 30" Table and 54" tall 1.90 x .065 Support Pole Only - NO ANCHOR
WS-POOLTABLE-CH-XX-C	In-Pool/Spa 30" Table, with 4 cup holders, 54" tall 1.90 x .065 Support Pole and 6" Bronze Pool Anchor with cap
WS-PT NO ANC-CH-XX-C	In-Pool/Spa 30" Table, with 4 cup holders, 54" tall 1.90 x .065 Support Pole Only NO ANCHOR
WS-16 TABLE-XX-C	16" Table with Umbrella Hole, 18" tall 1.90 x .065 Support Pole and 6" Bronze Pool Anchor with cap
WS-16 NOANC-XX-C	16" Table with Umbrella Hole, 18" tall 1.90 x .065 Support Pole Only - NO ANCHOR
POOL SEATING REPLACE THE XX IN THE PART NUMBERS TO INDICATE COLOR CODE WHEN ORDERING.	
WS-POOLSEAT-XX-C	In-Pool/Spa 16" Seat, 42" tall 1.90 x .065" Support Pole and 6" Bronze Pool Anchor with cap
WS-PS NOANC-XX-C	In-Pool/Spa 15" Seat and 42" tall 1.90 x .065 Support Pole Only - NO ANCHOR
GUNITE RETROFIT FOR UMBRELLA ANCHORS*	
PART #	DESCRIPTION
POOL TABLES REPLACE THE XX IN THE PART NUMBERS TO INDICATE COLOR CODE WHEN ORDERING.	
PL-30 UMB TABLE-XX	30" Table with umbrella hole, 1.50 Adapter and 18" tall 1.90 x .065 Support Pole
PL-30 UMB TABLE-CH-XX	30" Table with umbrella hole, 4 Cup Holders, 1.50 Adapter and 18" tall 1.90 x .065 Support Pole
PL-16 BEV TABLE-XX	16" Table with umbrella hole, 1.50 Adapter and 18" tall 1.90 x .065 Support Pole

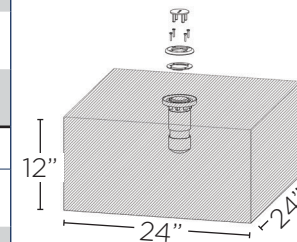
*Retrofit Umbrella Anchor Upgrade Installation

Notes: Most common umbrella anchors are typically 1.5" diameter and either 6" or 4" depth. Sun shelf depth typically range from 8" - 14" depth. Confirm the depth of the sun shelf and umbrella anchor and cut support pole as required for specific application.

VINYL NEW CONSTRUCTION	
PART #	DESCRIPTION
POOL TABLES REPLACE THE XX IN THE PART NUMBERS TO INDICATE COLOR CODE WHEN ORDERING.	
VL-POOLTABLE-XX-C	In-Pool/Spa 30" Table, 54" tall 1.90 x .065 Support Pole and 1.90 Vinyl Liner Anchor with cap
WS-PT NO ANC-XX-C	In-Pool/Spa 30" Table, 54" tall 1.90 x .065 Support Pole Only - NO ANCHOR
VL-POOLTABLE-CH-XX-C	In-Pool/Spa 30" Table, with 4 Cup Holders, 54" tall 1.90 x .065 Support Pole and 1.90 Vinyl Liner Anchor
WS-PT- NO ANC-CH-XX-C	In-Pool/Spa 30" Table, with 4 Cup Holders, 54" tall 1.90 x .065 Support Pole Only - NO ANCHOR
VL-16 TABLE-XX-C	16" Table with umbrella hole, 18" tall 1.90 x .065 Support Pole and 1.90 Vinyl Liner Anchor with cap
WS-16 NOANC-XX-C	16" Table with umbrella hole, 18" tall 1.90 x .065 Support Pole Only - NO ANCHOR
POOL SEATING REPLACE THE XX IN THE PART NUMBERS TO INDICATE COLOR CODE WHEN ORDERING.	
VL-POOLSEAT-XX-C	In-Pool/Spa 16" Seat 42" tall 1.90 x .065 Support Pole and 1.90 Vinyl Liner Anchor with cap
WS-PS NOANC-XX-C	In-Pool/Spa 16" Seat 42" tall 1.90 x .065 Support Pole Only - NO ANCHOR



MINIMUM CONCRETE POUR DIMENSIONS



ANCHORS	
PART #	DESCRIPTION
WS-POOL-ANCHOR	6" (1.90) Bronze Anchor w/ Cap
VL-ANCHOR 1.90	6" Vinyl Liner Anchor w/ Cap

RETROFIT SUN SHELF TABLE KITS

Select the 16- or 30-inch table you want to add to your sun shelf and your kit will come complete with everything you need to retrofit your existing umbrella sleeve. You can upgrade your shade in three easy steps!



*Adapter designed for 7 1/4" anchor sleeves; may be cut down to side for shorter umbrella anchor sleeves.

- 1 - Place adapter into existing anchor*
- 2 - Slide support pole into the table
- 3 - Place table and pole onto adapter and insert umbrella

ADAPTER KITS	
PART #	DESCRIPTION
PL-ADAPTER 1.50	Adapter Kit



-60 Starry Night shown



DESTINATION SERIES

Destination Lounger

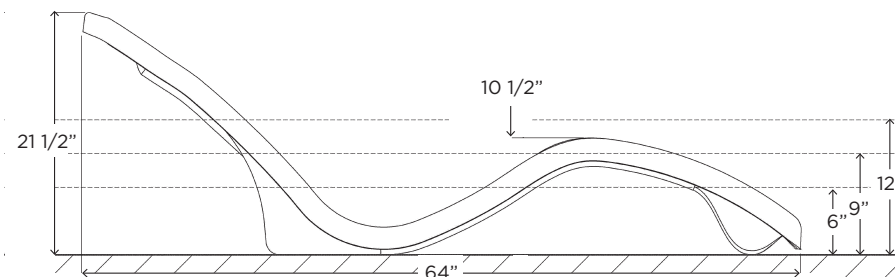
The Destination Lounger lets you relax and enjoy the pool without a splash. Elegant design and sturdy construction combine to give pool owners the opportunity to upgrade their sun shelf space with ease. The innovative design allows pool owners to easily fill the base section with water but, more importantly, allows them to move the lounger to remove water so it's easy to take it off the sun shelf when not in use.

- Easy to drain and remove when not in use
- Perfect for residential or commercial use
- For use on a pool ledge with water depths up to 12 inches
- High-quality RTM composite material
- UV protection to resist fading
- Compatible with all pool types, including vinyl
- Exclusive colors and visual textures
- U.S. Patent No. D898391
- 2-pack loungers available

PART #	DESCRIPTION
SHIPPING: 35 lbs - 68"L x 22"W x 17.22"H CLASS 70	
DS-1-51	Destination Lounger - Solid Tan
DS-1-52	Destination Lounger - Solid Gray
DS-1-54	Destination Lounger - Mont Blanc
DS-1-55	Destination Lounger - Pebble
DS-1-56	Destination Lounger - Fashion Gray
DS-1-57	Destination Lounger - Cappuccino
DS-1-58	Destination Lounger - Autumn Sun
DS-1-60	Destination Lounger - Starry Night
DS-1-61	Destination Lounger - Seashell

PART #	DESCRIPTION
2-PACK SHIPPING: 112 lbs - 68"L x 45"W x 22"H CLASS 70	
DS-1-51-2PK	Destination Lounger - Solid Tan - 2-Pack
DS-1-52-2PK	Destination Lounger - Solid Gray - 2-Pack
DS-1-54-2PK	Destination Lounger - Mont Blanc - 2-Pack
DS-1-55-2PK	Destination Lounger - Pebble - 2-Pack
DS-1-56-2PK	Destination Lounger - Fashion Gray - 2-Pack
DS-1-57-2PK	Destination Lounger - Cappuccino - 2-Pack
DS-1-58-2PK	Destination Lounger - Autumn Sun - 2-Pack
DS-1-60-2PK	Destination Lounger - Starry Night - 2-Pack
DS-1-61-2PK	Destination Lounger - Seashell - 2-Pack

COLOR OPTIONS



WEIGHT OF EMPTY CHAIR = 25 LBS
 WEIGHT OF LOUNGER IN WATER
 6" DEPTH = 56 LBS
 9" DEPTH = 66 LBS
 12" DEPTH = 71 LBS



-61 Seashell shown

DESTINATION SERIES Rocking Lounge Chair

The Destination Series Rocking Lounge Chair is the latest addition to S.R.Smith's In-Pool Furniture line. This elegantly designed and sturdy model offers a slight rocking feature that allows for easier exit off the chair while in the pool. The innovative design allows the Rocking Lounge Chair to be quickly drained allowing it to be removed from the sun shelf when not in use.

- For use on pool shelves with water depths up to 12 inches
- Easy to drain and remove when not in use
- Perfect for residential or commercial use
- Offers slight rocking feature for easier exit off chair
- High-quality RTM composite design
- UV protected to resist fading
- Compatible with all pool types
- Exclusive colors and visual textures
- U.S. Patent No. D905457
- 2-pack chairs available



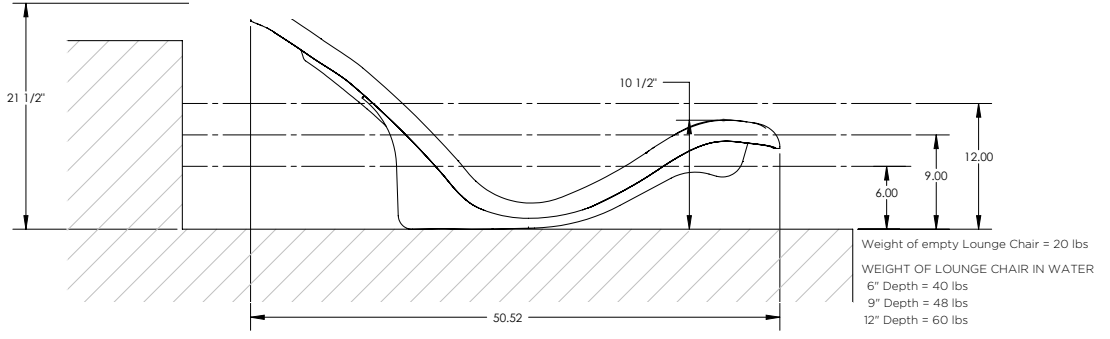
PART #	DESCRIPTION
SHIPPING: 32 lbs - 53"L x 18"W x 22"H CLASS 70	
DS-2-51	Rocking Lounge Chair - Tan
DS-2-52	Rocking Lounge Chair - Gray
DS-2-54	Rocking Lounge Chair - Mont Blanc
DS-2-55	Rocking Lounge Chair - Pebble
DS-2-56	Rocking Lounge Chair - Fashion Gray
DS-2-57	Rocking Lounge Chair - Cappuccino
DS-2-58	Rocking Lounge Chair - Autumn Sun
DS-2-60	Rocking Lounge Chair - Starry Night
DS-2-61	Rocking Lounge Chair - Seashell

PART #	DESCRIPTION
2-PACK SHIPPING: 140 lbs - 68"L x 45"W x 22"H CLASS 70	
DS-2-51-2PK	Rocking Lounge Chair - Tan - 2-Pack
DS-2-52-2PK	Rocking Lounge Chair - Gray - 2-Pack
DS-2-54-2PK	Rocking Lounge Chair - Mont Blanc - 2-Pack
DS-2-55-2PK	Rocking Lounge Chair - Pebble - 2-Pack
DS-2-56-2PK	Rocking Lounge Chair - Fashion Gray - 2-Pack
DS-2-57-2PK	Rocking Lounge Chair - Cappuccino - 2-Pack
DS-2-58-2PK	Rocking Lounge Chair - Autumn Sun - 2-Pack
DS-2-60-2PK	Rocking Lounge Chair - Starry Night - 2-Pack
DS-2-61-2PK	Rocking Lounge Chair - Seashell - 2-Pack

COLOR OPTIONS



ROCKING LOUNGE CHAIR DIMENSIONS





Shown in White

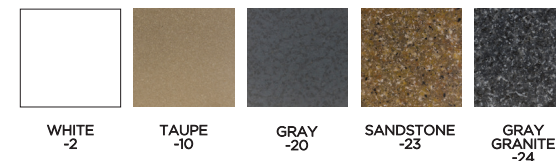
R-Series Rotomolded Lounger

Add resort vibes to your pool's sun shelf with the R-Series Rotomolded Lounger. Designed to provide relaxing support, this lounger lets you enjoy peaceful pool moments in your pool. Engineered with durable functionality, the R-Series Lounger is sturdy yet easy to drain becoming lightweight enough to move when not in use.

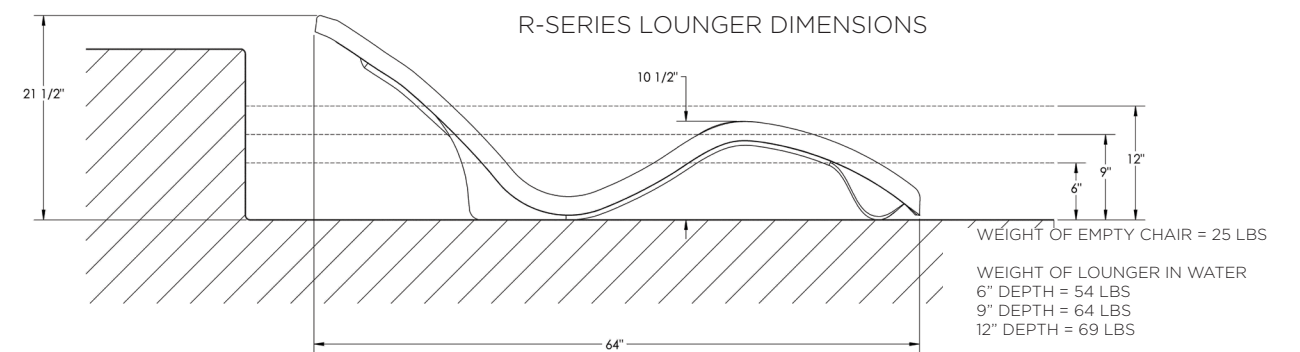
- Easy to drain and remove when not in use
- Perfect for residential or commercial use
- For use on sun ledges with water depths up to 12 inches
- High-quality rotomolded design
- UV protection to resist fading
- Compatible with all pool types
- Exclusive colors and visual textures
- U.S. Patent No. D720591
- 2-pack loungers available



COLOR OPTIONS



PART #	DESCRIPTION
SHIPPING: 35 lbs - 68"L x 22"W x 17.22"H CLASS 70	
RS-1-2	R-Series Lounger - White
RS-1-10	R-Series Lounger - Taupe
RS-1-20	R-Series Lounger - Gray
RS-1-23	R-Series Lounger - Sandstone
RS-1-24	R-Series Lounger - Gray Granite
2-PACK SHIPPING: 112 lbs - 68"L x 45"W x 22"H CLASS 70	
RS-1-2-2PK	R-Series Lounger - White - 2-Pack
RS-1-10-2PK	R-Series Lounger - Taupe - 2-Pack
RS-1-20-2PK	R-Series Lounger - Gray - 2-Pack
RS-1-23-2PK	R-Series Lounger - Sandstone - 2-Pack
RS-1-24-2PK	R-Series Lounger - Gray Granite - 2-Pack





R-Series Deep Water Lounger

The R-Series has expanded its line to bring you the comfort of the Rotomolded Deep Water Lounger. Designed with elegance and sturdy construction, the Deep Water Lounger is ideal for sun shelves with water depths up to 15 inches. The Deep Water Lounger is designed so that pool owners can easily drain the water and remove from the sun shelf when not in use.

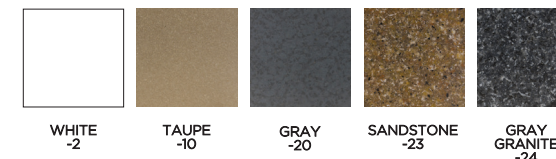


Shown in White

- For use on sun shelves with water depths up to 15 inches
- Easy to drain and remove when not in use
- Perfect for residential or commercial use
- High quality, durable rotomolded design
- UV Protection to resist fading
- Compatible with all pool types
- Exclusive colors and visual textures
- 2-pack loungers available

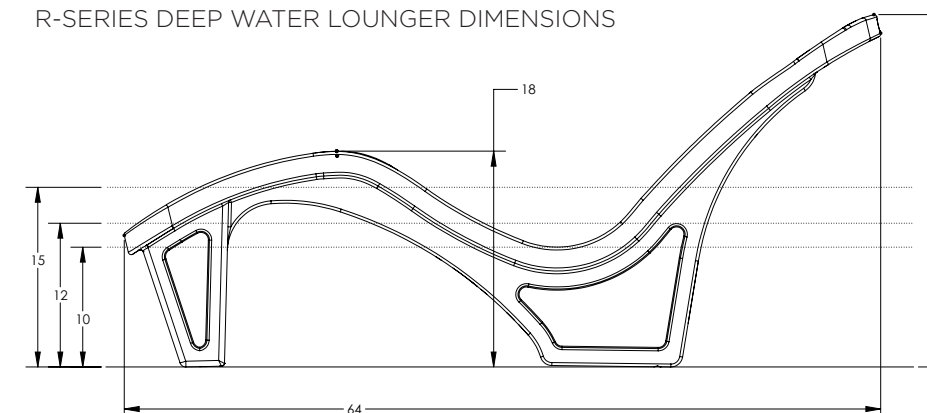


COLOR OPTIONS



PART #	DESCRIPTION
SHIPPING: 33 lbs - 68"L x 23"W x 26"H 15 kg - 173cm x 58cm x 66cm	
RS-3-2	R-Series Deep Water Lounger - White
RS-3-10	R-Series Deep Water Lounger - Taupe
RS-3-20	R-Series Deep Water Lounger - Gray
RS-3-23	R-Series Deep Water Lounger - Sandstone
RS-3-24	R-Series Deep Water Lounger - Gray Granite
2-PACK SHIPPING: 100 lbs - 74"L x 47"W x 53"H 45 kg - 188cm x 119cm x 135cm	
RS-3-2-2PK	R-Series Deep Water Lounger - White - 2-Pack
RS-3-10-2PK	R-Series Deep Water Lounger - Taupe - 2-Pack
RS-3-20-2PK	R-Series Deep Water Lounger - Gray - 2-Pack
RS-3-23-2PK	R-Series Deep Water Lounger - Sandstone - 2-Pack
RS-3-24-2PK	R-Series Deep Water Lounger - Gray Granite - 2-Pack

R-SERIES DEEP WATER LOUNGER DIMENSIONS



WEIGHT OF EMPTY CHAIR = 28 LBS

WEIGHT OF LOUNGER IN WATER
 6" DEPTH = 104 LBS
 9" DEPTH = 134 LBS
 12" DEPTH = 176 LBS



R-Series Rocking Lounge Chair



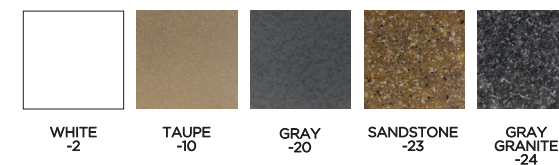
Shown in White



The R-Series Rocking Lounge Chair is an elegantly designed and sturdy in-pool chair with a slight rocking feature that allows for easier exit off the chair while in the pool. The reclining angle of the Rocking Lounge Chair makes it easy to carry on a conversation while keeping an eye on pool activities. The R-Series Rocking Lounge Chair is easy to drain making it easy for pool owners to remove from the sun shelf when not in use.

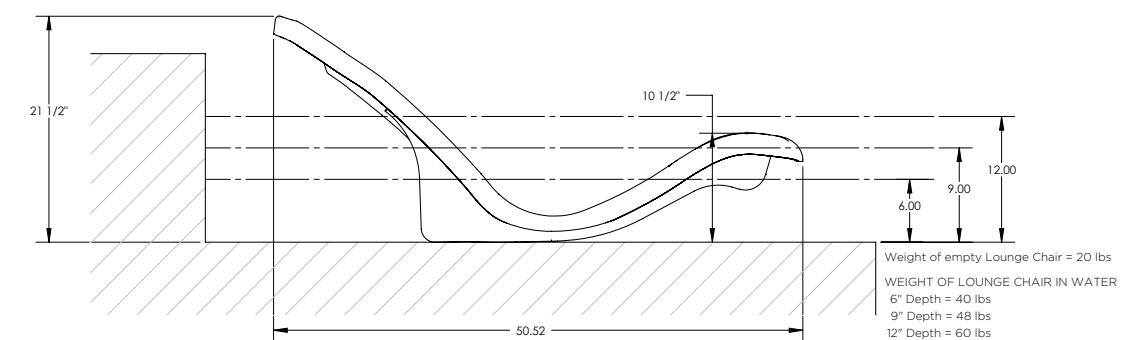
- For use on sun shelves with water depths up to 12 inches
- Easy to drain and remove when not in use
- Perfect for residential or commercial use
- High quality, durable rotomolded design
- UV Protection to resist fading
- Compatible with all pool types
- Exclusive colors and visual textures
- 2-pack loungers available

COLOR OPTIONS



PART #	DESCRIPTION
SHIPPING: 20 lbs - 53"L x 23"W x 19.5"H 9 kg - 135cm x 58cm x 50cm	
RS-2-2	R-Series Rocking Lounge Chair - White
RS-2-10	R-Series Rocking Lounge Chair - Taupe
RS-2-20	R-Series Rocking Lounge Chair - Gray
RS-2-23	R-Series Rocking Lounge Chair - Sandstone
RS-2-24	R-Series Rocking Lounge Chair - Gray Granite
2-PACK SHIPPING: 100 lbs - 59"L x 47"W x 34"H 45 kg - 150cm x 119cm x 86cm	
RS-2-2-2PK	R-Series Rocking Lounge Chair - White - 2-Pack
RS-2-10-2PK	R-Series Rocking Lounge Chair - Taupe - 2-Pack
RS-2-20-2PK	R-Series Rocking Lounge Chair - Gray - 2-Pack
RS-2-23-2PK	R-Series Rocking Lounge Chair - Sandstone - 2-Pack
RS-2-24-2PK	R-Series Rocking Lounge Chair - Gray Granite - 2-Pack

R-SERIES ROCKING LOUNGE CHAIR DIMENSIONS





R-Series Sun Shelf Tables



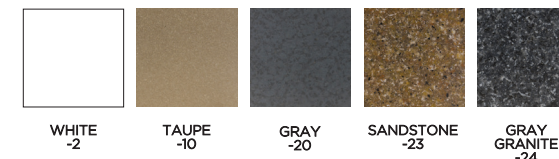
Shown in White

Make the most of a sun shelf with a removable table from S.R.Smith. Bring your book, your favorite beverage and a snack while you spend hours relaxing and staying cool in the comfort of your own backyard oasis.

- Available in two popular sizes, 15-inch or 18-inch, for use on most sun shelves
- Perfect for water depths between 12 inches and 15 inches
- Both tables come standard with a center hole to accommodate a standard pool umbrella
- For use in both residential or commercial pools
- High quality, durable rotomolded design
- UV protection to resist fading
- Exclusive colors and visual textures

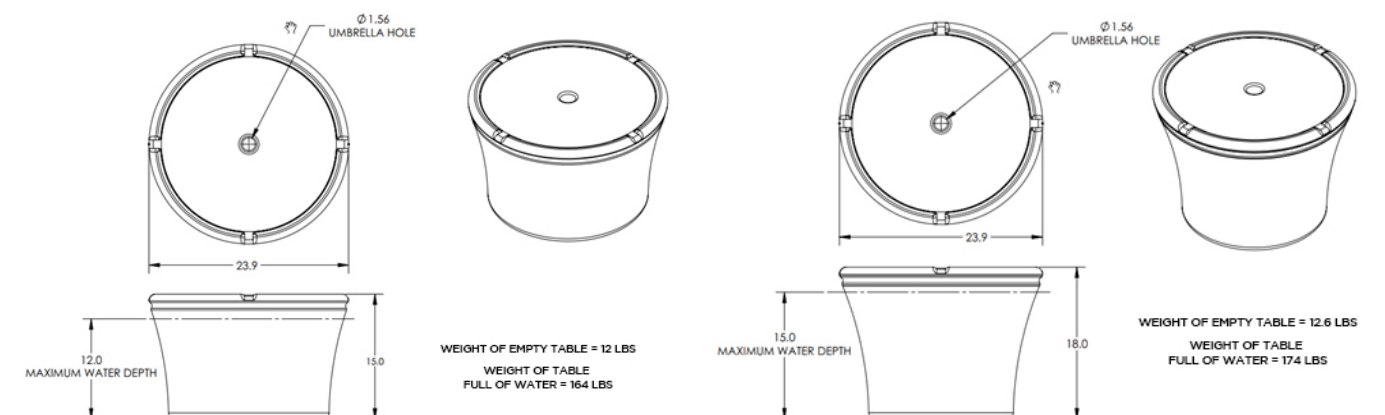


COLOR OPTIONS



PART #	DESCRIPTION
SHIPPING: 15.5 lbs - 25"L x 25"W x 19"H 7 kg - 64cm x 54cm x 48cm	
RS-4-2	R-Series 15" Sun Shelf Table - White
RS-4-10	R-Series 15" Sun Shelf Table - Taupe
RS-4-20	R-Series 15" Sun Shelf Table - Gray
RS-4-23	R-Series 15" Sun Shelf Table - Sandstone
RS-4-24	R-Series 15" Sun Shelf Table - Gray Granite
SHIPPING: 100 lbs - 59"L x 47"W x 34"H 45 kg - 150cm x 119cm x 86cm	
RS-5-2	R-Series 18" Sun Shelf Table - White
RS-5-10	R-Series 18" Sun Shelf Table - Taupe
RS-5-20	R-Series 18" Sun Shelf Table - Gray
RS-5-23	R-Series 18" Sun Shelf Table - Sandstone
RS-5-24	R-Series 18" Sun Shelf Table - Gray Granite

R-SERIES SUN SHELF TABLE DIMENSIONS





Pool **Better**

SRSmith®

A Fluidra Brand | [SRSmith.com](https://www.SRSmith.com) | 1.800.822.7933

©2023 S.R. Smith, LLC. All rights reserved. All trademarks are the property of their respective owners. 46723_SA