

DMS custom rail **request**

Project Name _____

Residential Commercial

Distributor Name _____

Distributor Contact Name _____

Distributor Address _____

City _____

State _____

Zip _____

Distributor Phone _____

Fax _____

Distributor Email _____

Tubing: Outside Diameter 1.90"

Wall Thickness .049" (res. only) .065" .109" .145" (304 only)

1.50"
 .120" ONLY

Grade 304 (standard) 316L (marine grade)

Coating: SealedSteel Vinyl* None White Taupe Gray Dark Gray Black

Powder Coating* None White Taupe Silver Gray Rock Gray

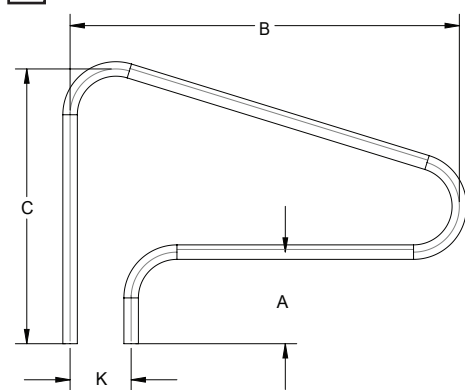
*Escutcheons not included

Copper Vein Hammertone Black

Requested Handrail Pattern:

** Please include amount to be inserted into anchor for dimensions "A" and "C" **

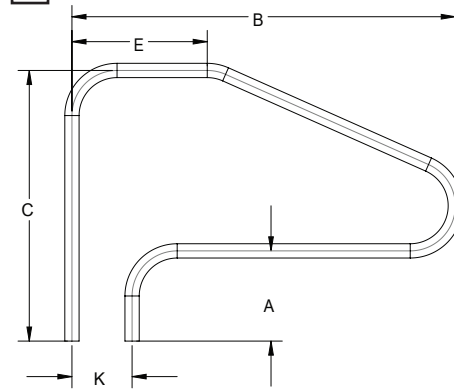
DMS-100



Qty: _____

A: _____
B: _____
C: _____
K: _____

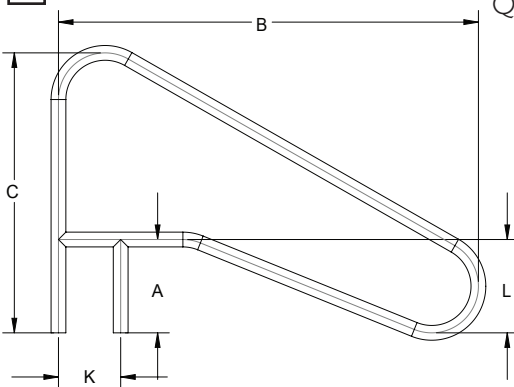
DMS-101



Qty: _____

A: _____
B: _____
C: _____
E: _____
K: _____

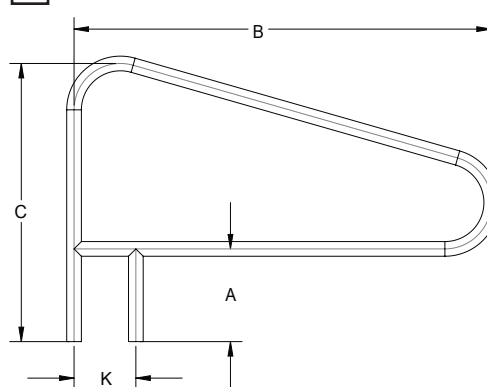
DMS-102



Qty: _____

A: _____
B: _____
C: _____
K: _____
L: _____

DMS-103



Qty: _____

A: _____
B: _____
C: _____
K: _____

Please fax to 615-805-3246 or email customrails@srsmith.com

Phone: 615-805-3246
Fax: 615-805-3246
Email: customrails@srsmith.com

